

Aerothermal

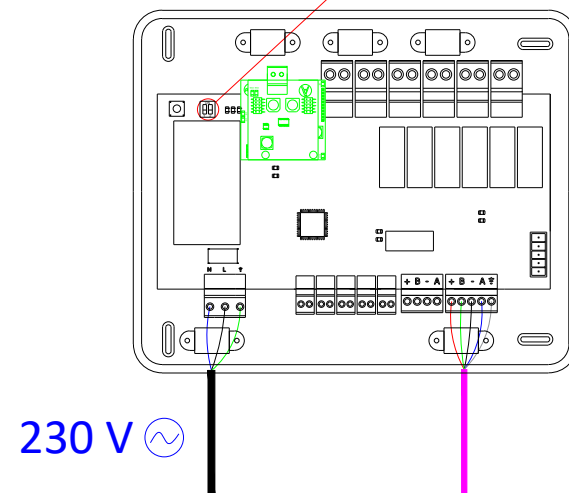
Mode	Demand	Control Relays					
		FRIO_Y	CALORB_W	AIRE_Y	RADIANTE_Y	AIRE_W	RADIANTE_W
Stop	Off	--	--	--	--	--	--
	Air	ON	--	ON	--	--	--
Cooling mode	Radiant	ON	--	--	ON	--	--
	Off	--	--	--	--	--	--
Heating mode	Air	--	ON	--	--	ON	--
	Radiant	--	ON	--	--	--	ON
Dry	On	--	--	--	--	--	--
	Off	--	--	--	--	--	--
Ventilation	On	--	--	--	--	--	--
	Off	--	--	--	--	--	--

2 pipes / 3/4 pipes

Mode	Demand	Control Relays					
		FRIO_Y	CALORB_W	AIRE_Y	RADIANTE_Y	AIRE_W	RADIANTE_W
Stop	Off	--	--	--	--	--	--
	Air	ON	--	ON	--	--	--
Cooling mode	Radiant	ON	--	--	ON	--	--
	Off	ON	--	--	--	--	--
Heating mode	Air	--	ON	--	--	ON	--
	Radiant	--	ON	--	--	--	ON
Heating mode	On	ON	--	--	--	--	--
	Off	--	--	--	--	--	--
Ventilation	On	--	--	--	--	--	--
	Off	--	--	--	--	--	--

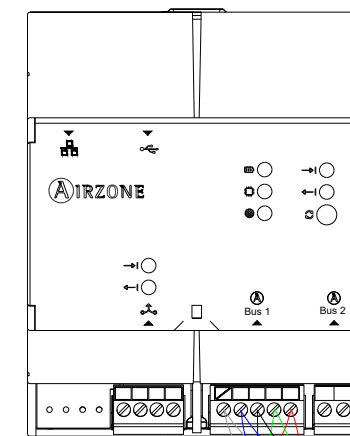
Meaning			
Aerothermal	2 pipes	3/4 pipes	RadianT

AZX6CCPGAWI



AIRZONE BUS

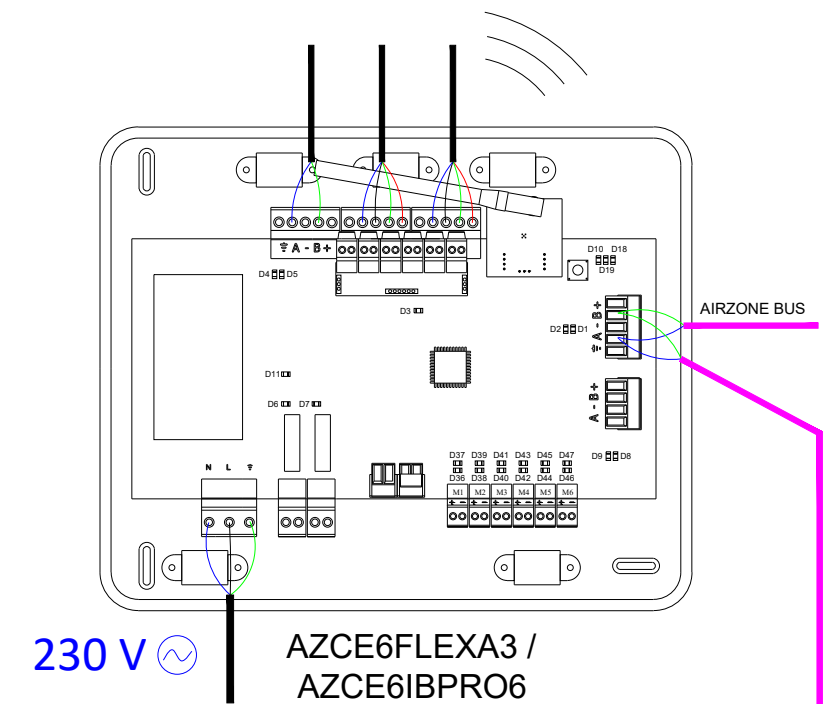
AZX6WSPHUB



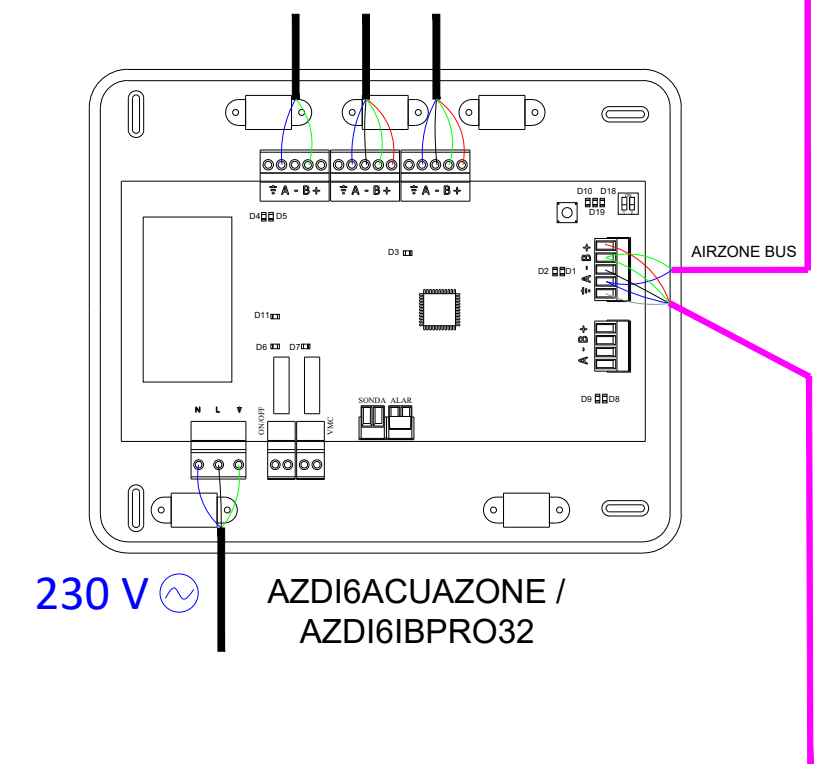
5 WIRED STRINGS

AIRZONE BUS

SYSTEM 2



SYSTEM 1



IMPORTANT NOTE: IT IS THE INSTALLER'S RESPONSIBILITY TO VERIFY THE INFORMATION SUPPLIED BY AIRZONE WITH THE EQUIPMENT MANUFACTURER REGARDING THE CONNECTION OF THE CCP (AZX6CCPGAWI) TO PRODUCTION.

For more information about CCP click [here](#)

