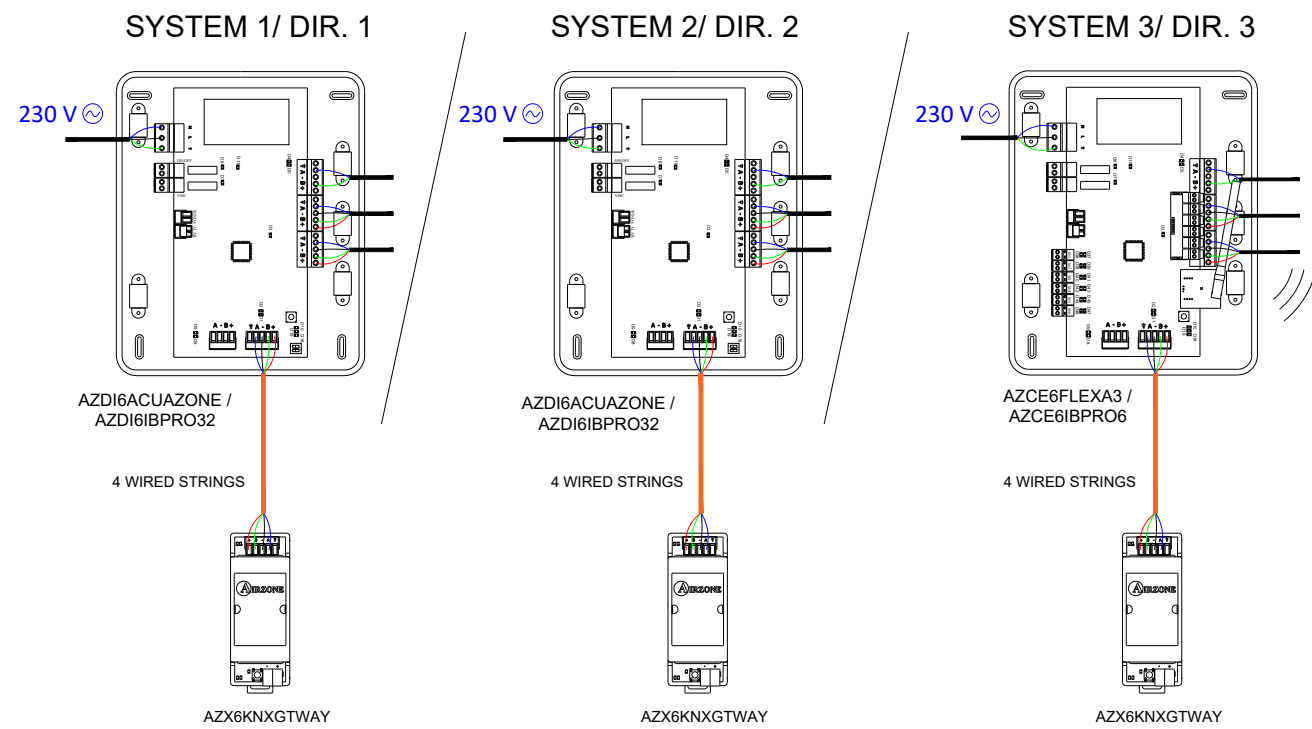
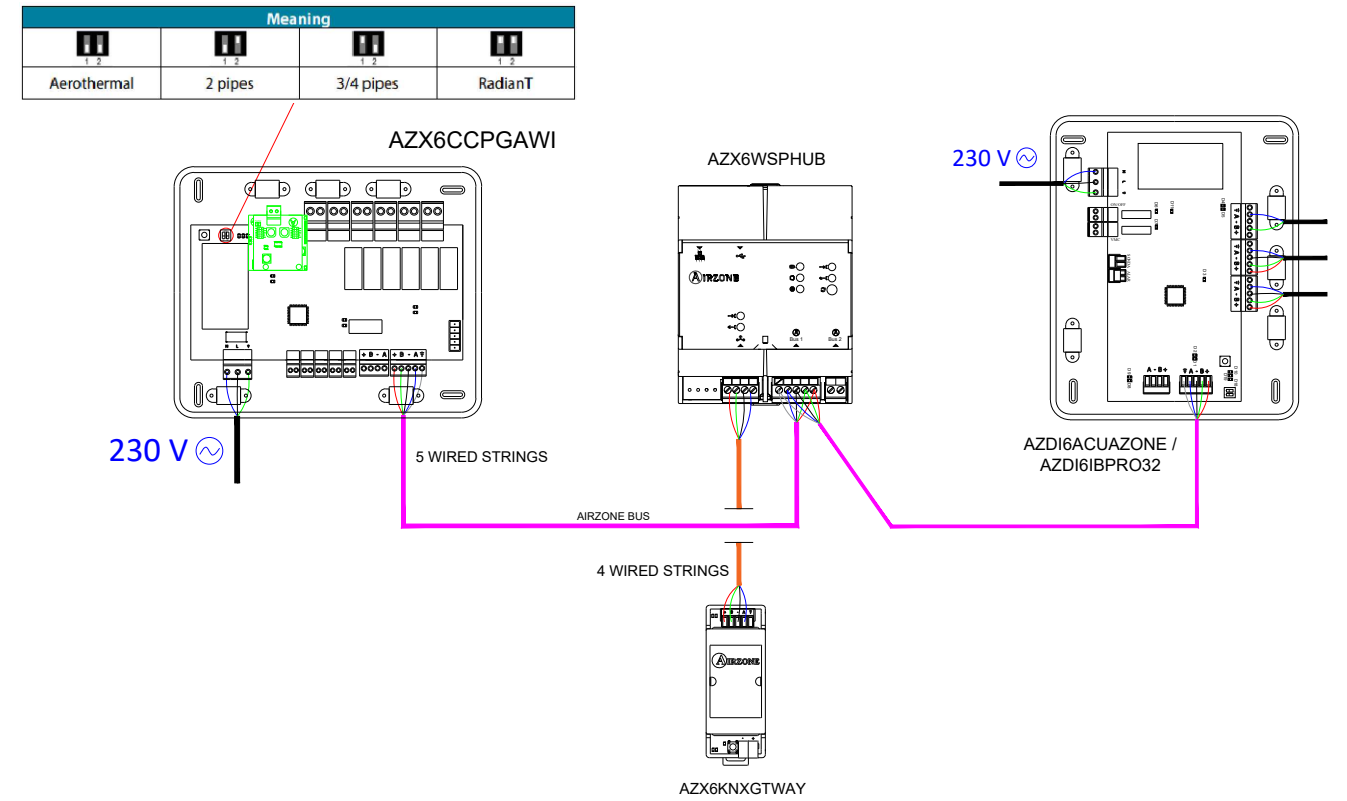


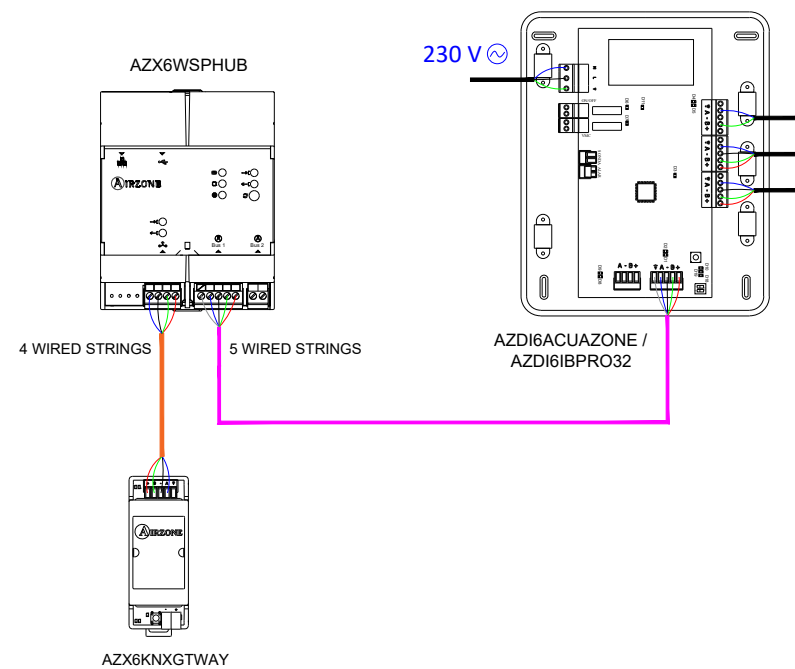
KNX Integration in multiple systems



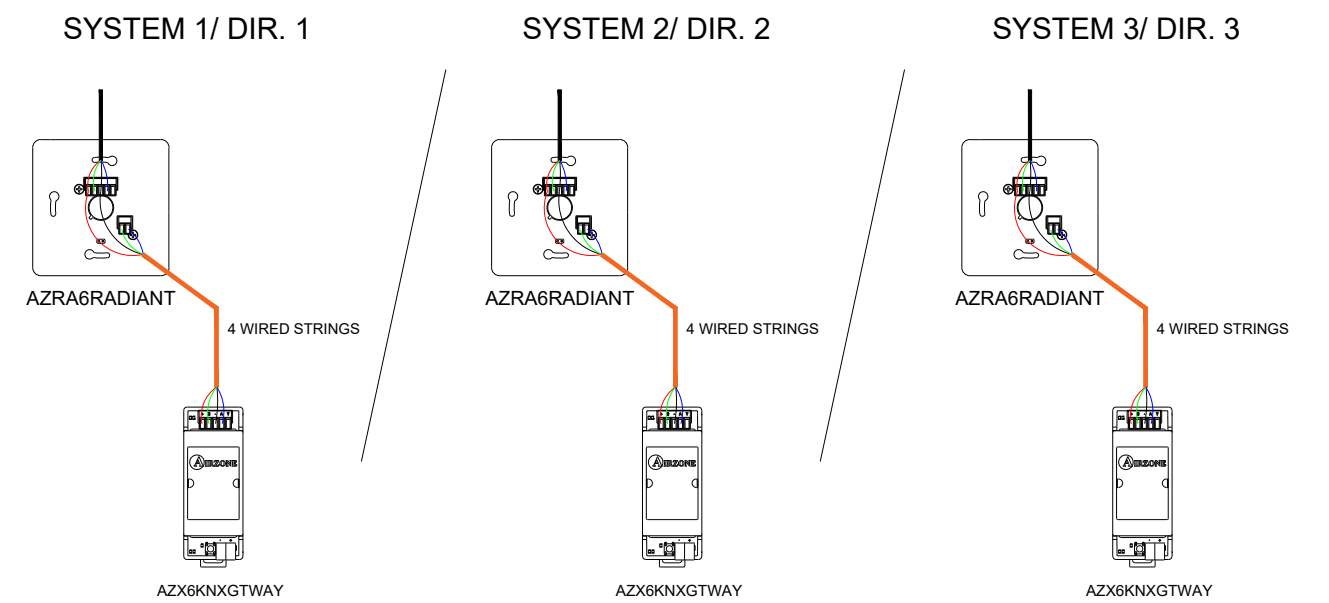
KNX Integration with CCPGAWI



KNX Integration with Webserver HUB



KNX Integration in multiple systems (RadianT365)



Note: A KNX Gateway is required per system. For Acuazone systems, only 14 zones can be integrated by KNX.

AIRZONE

PLAN DETAIL DIAGRAM

PLAN
1/1

DATE : 2021